

# TOKENBLAUSER

Sheet: /

File: GPSDO.SchDoc

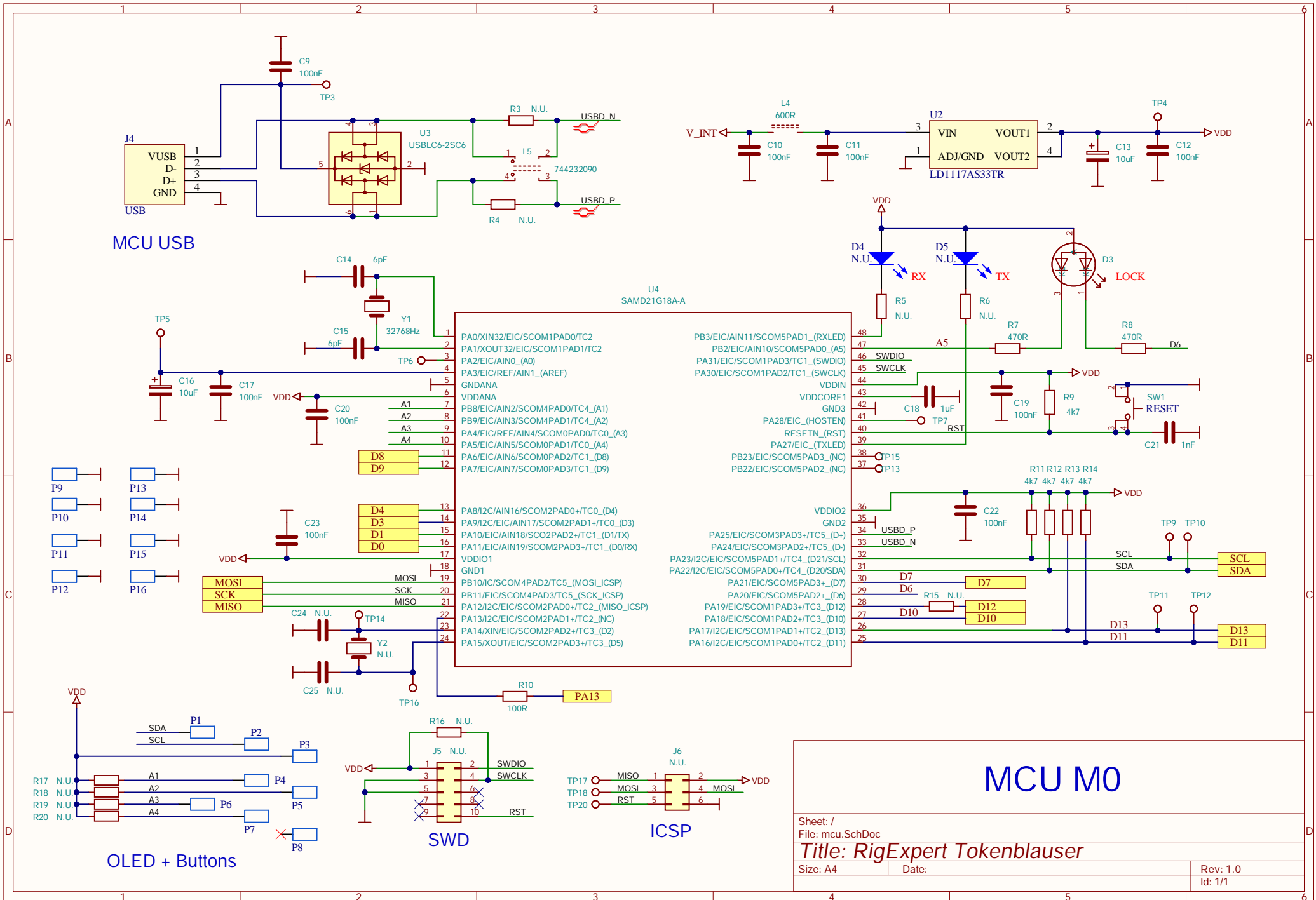
Title: *RigExpert Tokenblauser*

Size: A4

Date:

Rev: 1

Id: 1/1



MCU USB

MCU M0

OLED + Buttons

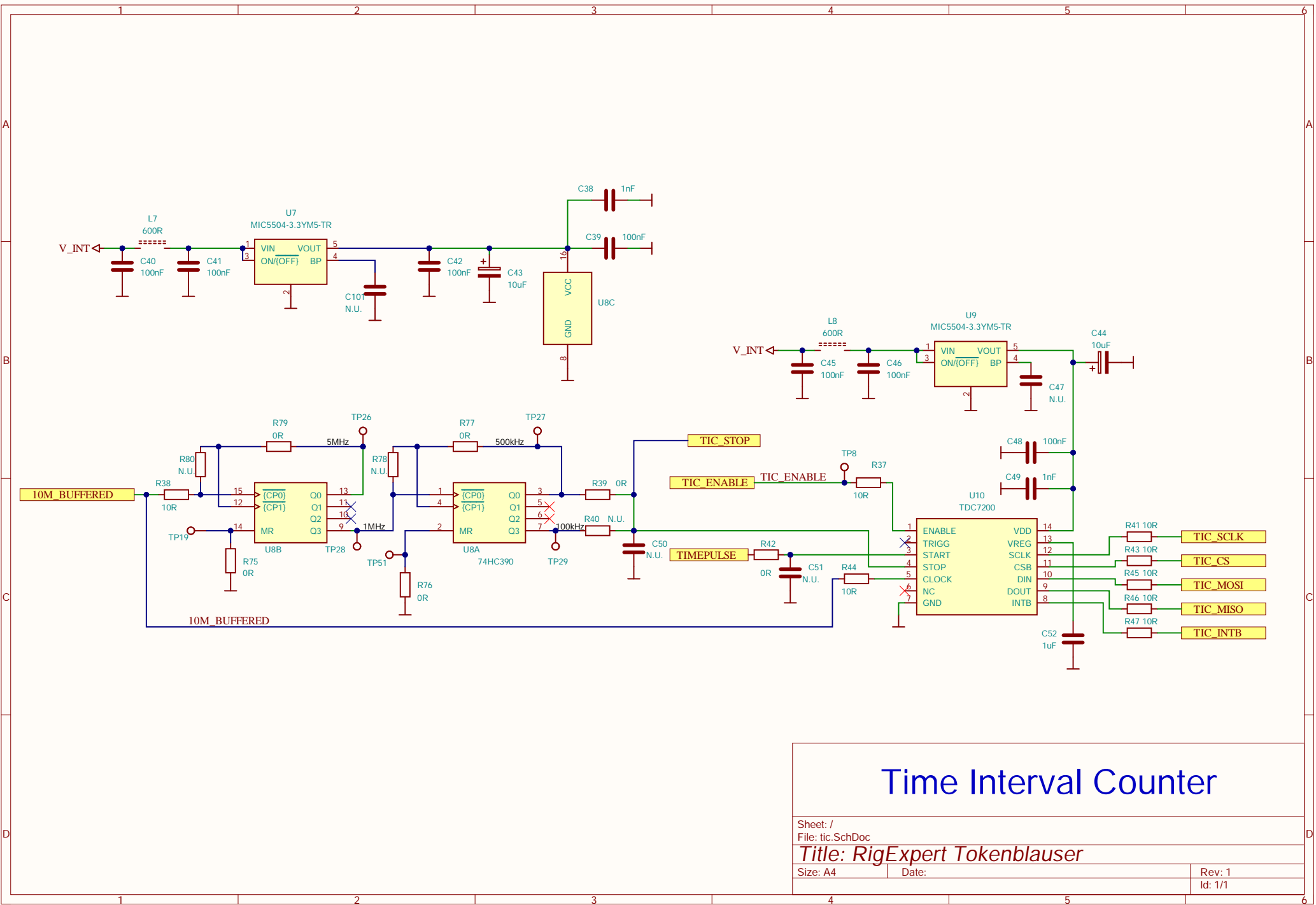
SWD

ICSP

Sheet: /		File: mcu.SchDoc	
Title: RigExpert Tokenblauser			
Size: A4	Date:	Rev: 1.0	
		Id: 1/1	

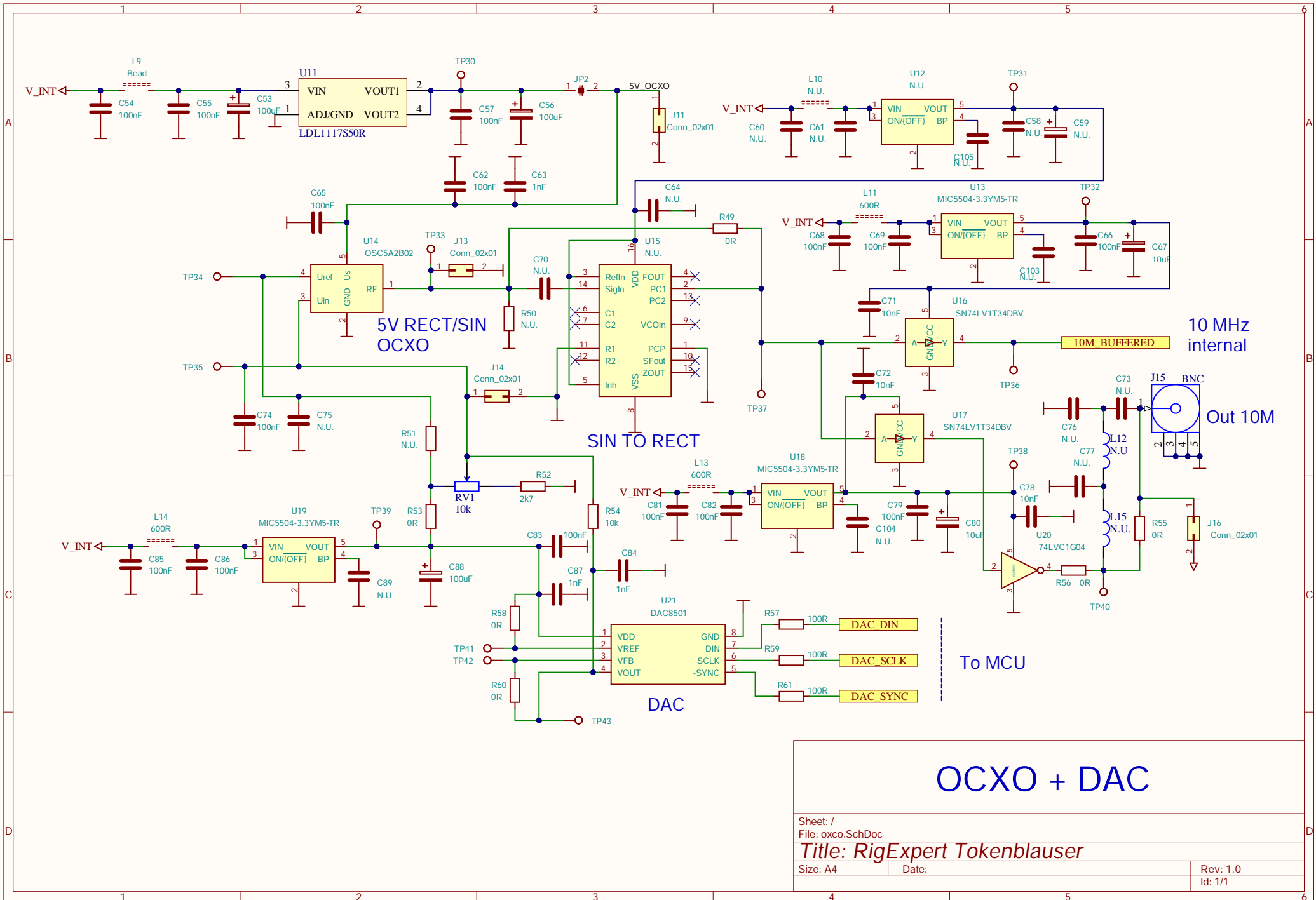






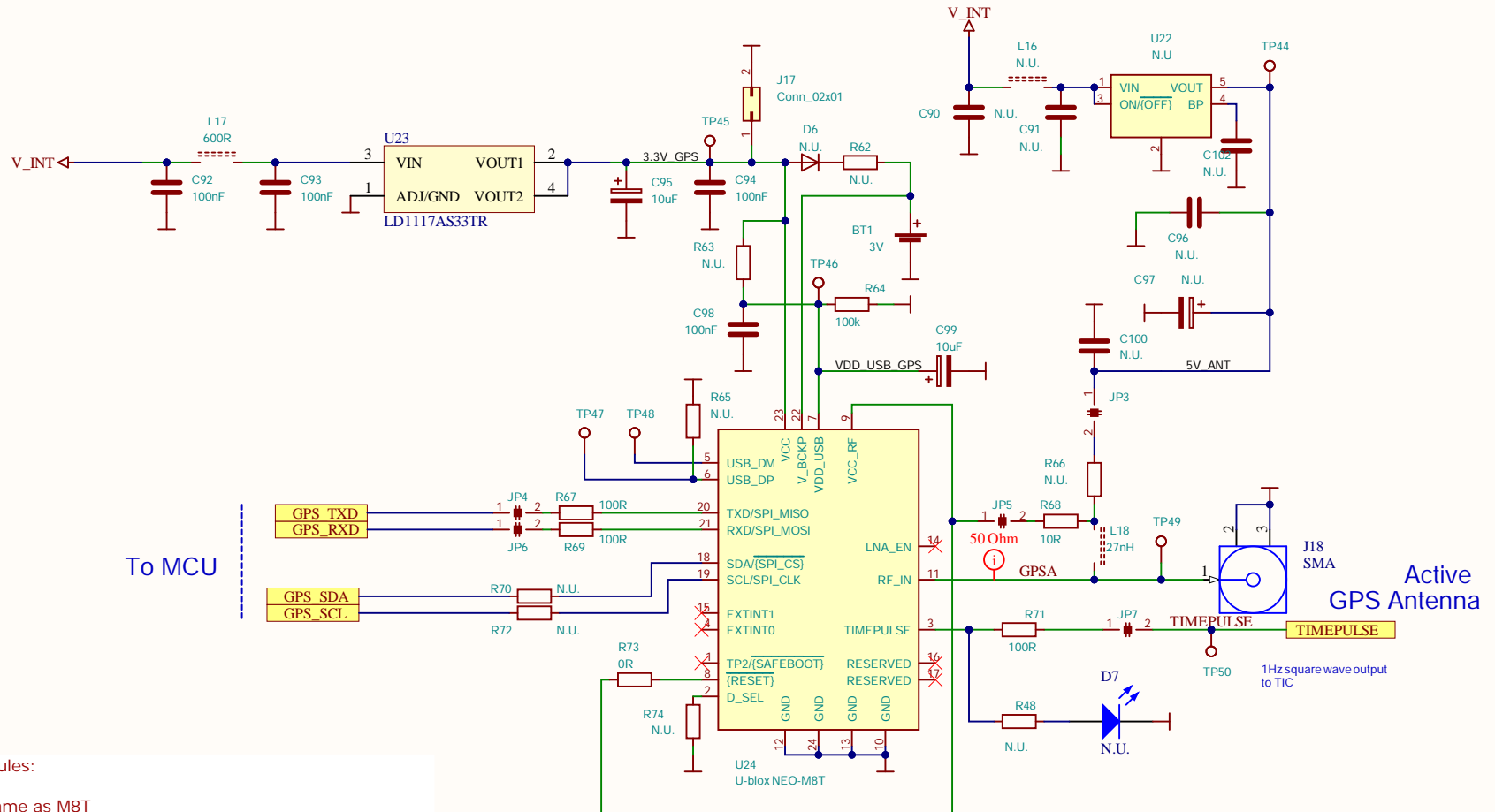
# Time Interval Counter

Sheet: /		Date:	
File: tic.SchDoc		Rev: 1	
Title: RigExpert Tokenblauser		Id: 1/1	
Size: A4			



# OCXO + DAC

Sheet: /		Rev: 1.0	
File: oxco.SchDoc		Id: 1/1	
Title: RigExpert Tokenblauser			
Size: A4	Date:		



To MCU

Active GPS Antenna

1Hz square wave output to TIC

AlternativeGPS modules:

U-blox NEO-M8N: same as M8T

QUECTEL L26-T:  
Install R65 (0R) and remove R73

Branch ATGM332D-5N:  
Remove R73

For 5V active antennas, remove R68 and install:  
C90, C91, C96, C100 - 100nF, C97 - 10uF, L16 - 600R, R66 - 10R, U22  
- MIC5504-3.3YM5-TR

# GPS Module

Sheet: /		File: gpsmodule1.SchDoc	
Title: RigExpert Tokenblauser			
Size: A4	Date:	Rev: 1.0	
		Id: 1/1	